

Type PMG-KB-02-Q2S (formerly PKG-02)
Panel Mount Fuse Holder
13/32" x 1½" (10.3 x 38.1mm)
Knob / Bayonet



www.optifuse.com (619) 593-5050

Electrical Rating: 30A, 600V AC

Fuse Style: 13/32" x 1½" (10.3 x 38.1mm)

Material:

Frame and Cap: Bakelite

Terminals: Nickel-plated Copper Alloy

Cap: Knob type, Bayonet type

Terminal:Solder/Quick-Connect 6.4mm / 0.250"

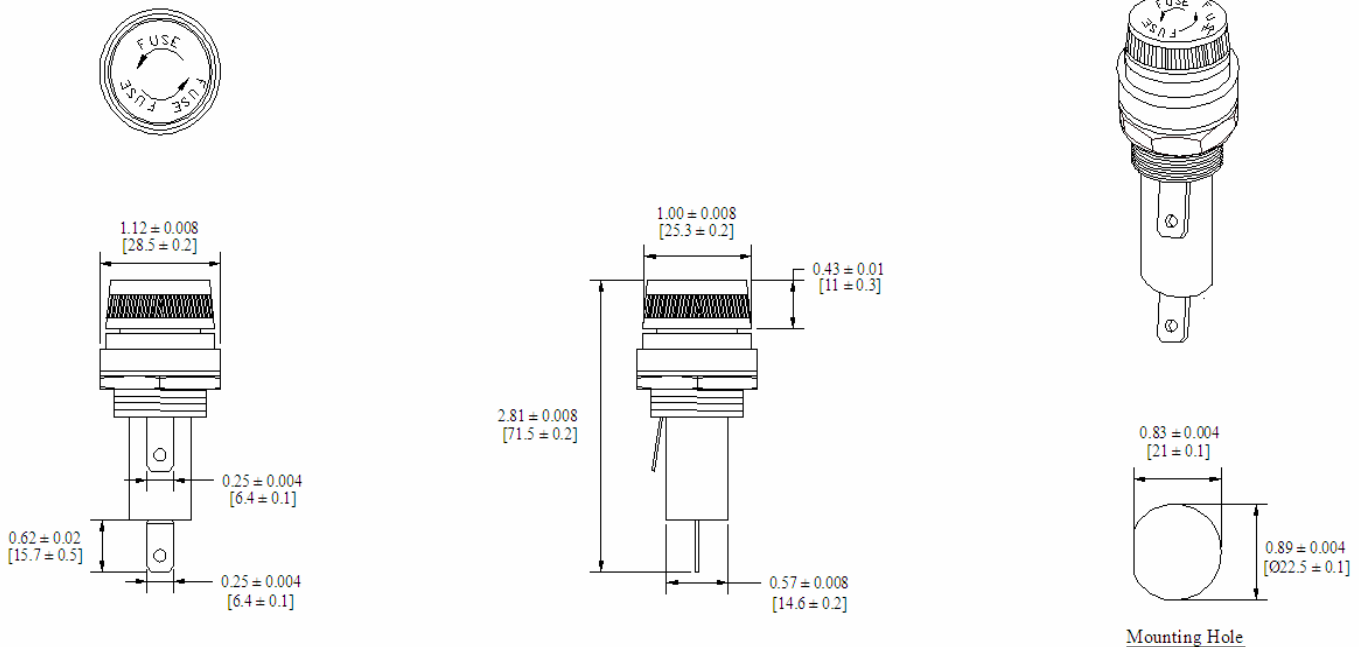
Mounting: by metal nut and black rubber gasket

Panel Thickness: 0.5 ~ 7mm

Agency Standards and Listings:



Product Dimensions: Inches [mm]



<p>Warning:</p>	<ul style="list-style-type: none"> -Operation beyond the specified maximum ratings or improper use may result in damage and possible electrical arcing and/or flame. -Fuse Holders are not intended for circuit disconnect. All power should be disconnected before removing fuse. -Avoid contact of Fuse Holder with chemical solvent. Prolonged contact may damage the device performance.
------------------------	---